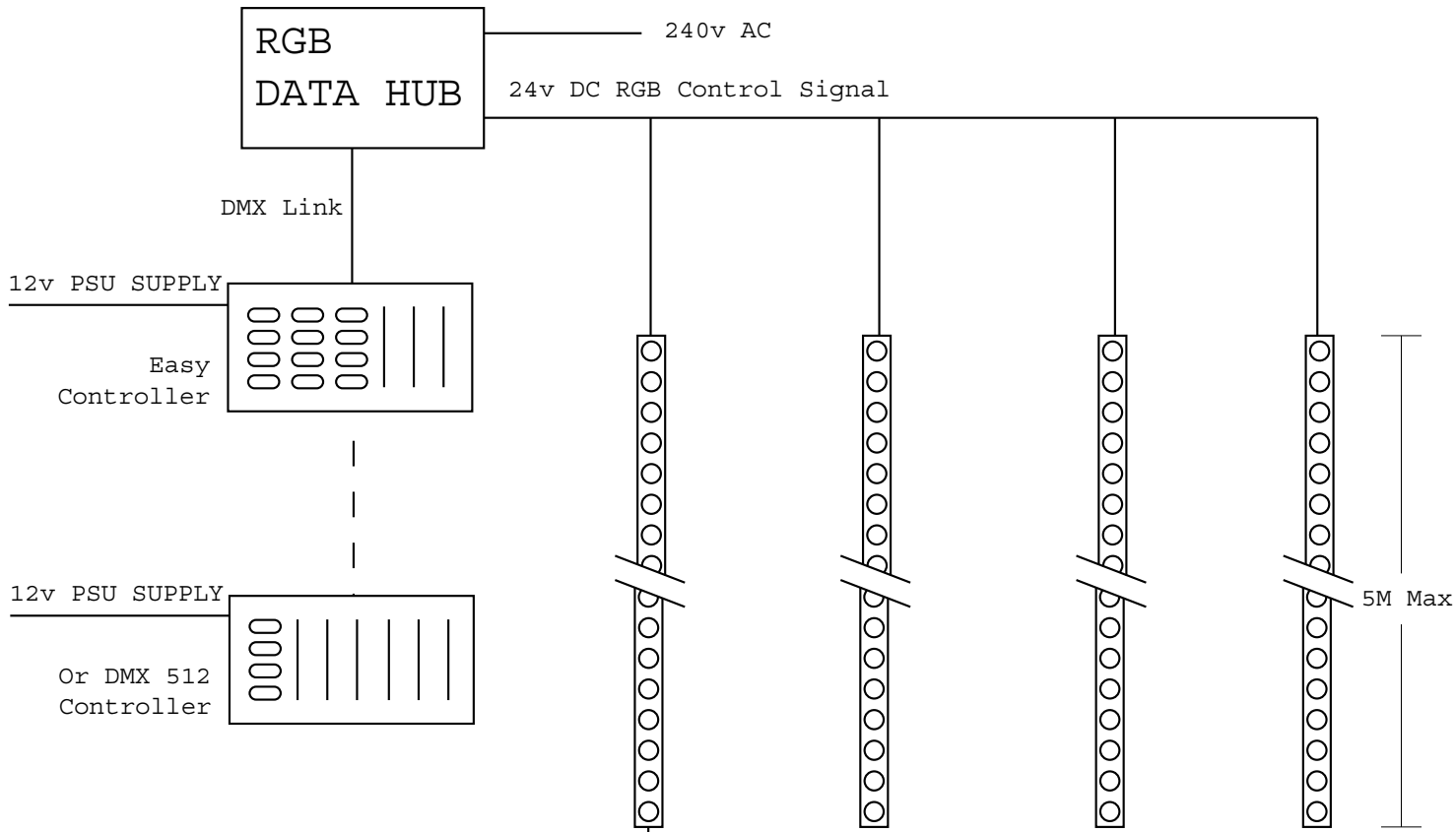


LED Technologies

Creative LED & Effect Technology for the Trade Professional



RGB ProFlex Data Hub

1. Connect the RGB ProFlex to the DMX Data Hub.
2. Connect the LED Technologies Easy Controller or a suitable 3 x Channel DMX Desk to the DMX Data Hub.
3. Connect the DMX Data Hub and DMX Desk into a suitable 240v mains supply and refer to the Easy Controller / DMX Desk instruction manual for operation.

Note: Up to 75m of 4 core, 2.5mm sq cable can be connected between the Data Hub and the RGB ProFlex if required.

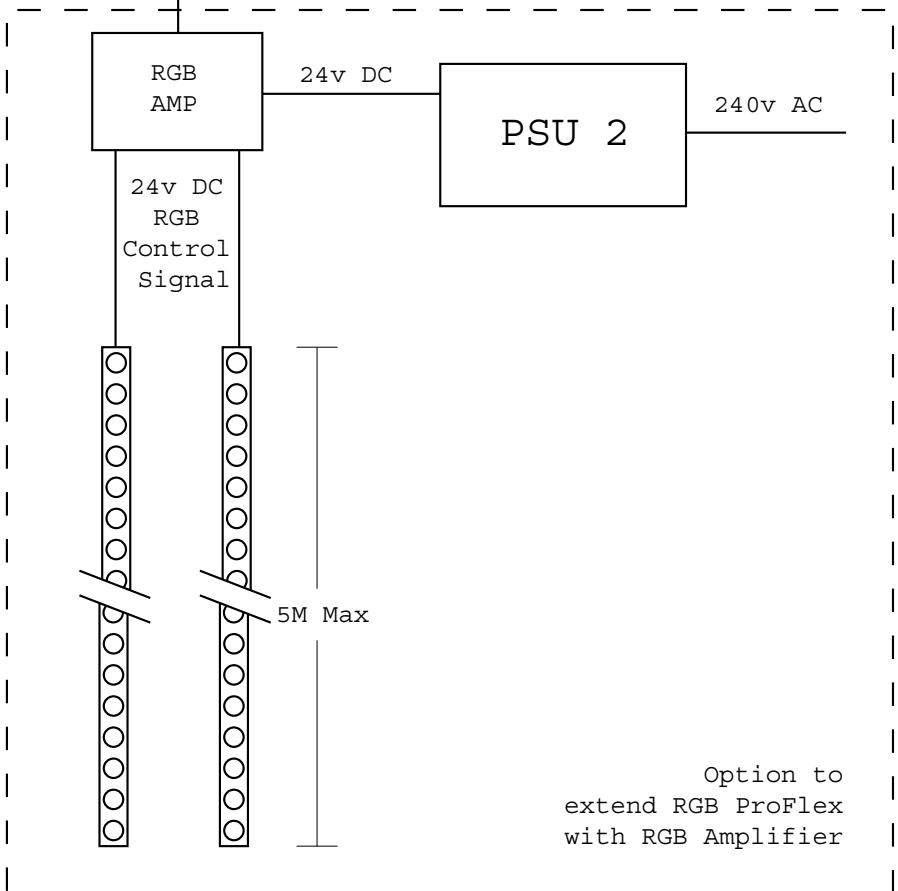
Optional RGB Amplifier

Additional RGB Amplifiers can also be connected to the ProFlex to expand the number of lengths that can be controlled.

Each RGB Amplifier will control up to 10m (2 x 5m lengths) of RGB ProFlex and is designed to enable lengths of ProFlex to be "daisy chained" together.

Important: As a 24v Supply must be connected to the RGB Amplifiers, care must be taken to ensure that the maximum length of ProFlex allowed per PSU is not exceeded.

Additional PSU's can be used to supply the RGB Amplifiers.



Option to extend RGB ProFlex with RGB Amplifier