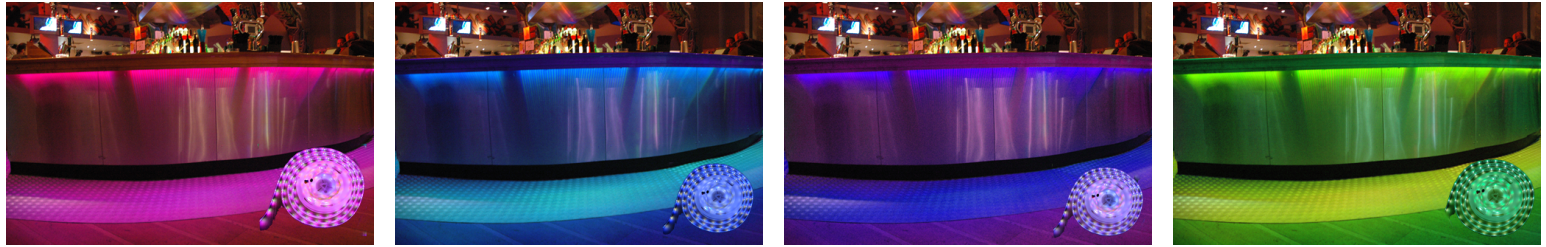


LED Technologies

Creative LED Technology for the Trade Professional

“At Last a simple and Bright 14.4w per mtr RGB Flex installation system!

Extendable, linkable and simple to operate.”



Ribbon Overview

RGB ProFlex is an impressively bright, colour changing LED lighting solution designed to give a smooth colour changing wash to areas where flexibility is the primary requirement. Ideal for installations, ProFlex can be cut and joined and is IP65 rated with a 3M sticky backing to fix to most surfaces. The Tri-Colour LED's give smooth rich vibrant colour mixing and dimming from 0 - 100% with negligible drop out at 0%.

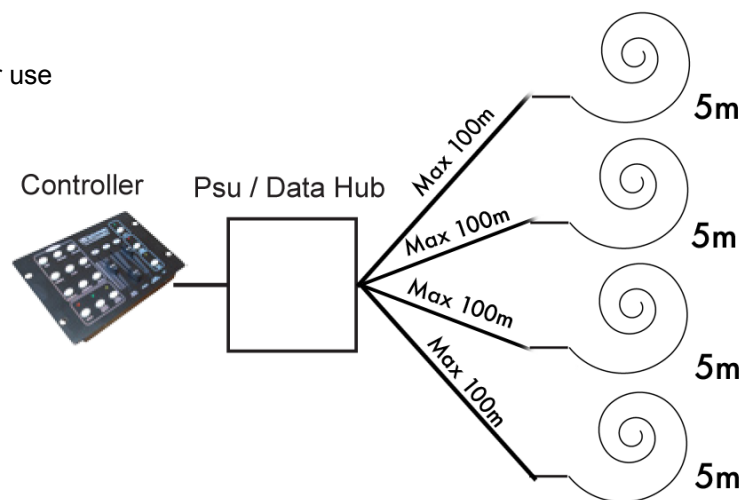
Flex Diagram Ribbon PSU / DMX Decoder

UP to 20m of ProFlex can be powered from this UK designed and manufactured Power Supply / DMX Decoder. Units can be linked together to power more flex and can be controlled with our RGB Easy Controller or a standard DMX 512 desk. The units can be set to slave mode or DMX using the panel mounted dip switches for easy addressing. Each unit is fitted with mains and DMX link sockets and four panel mounted push on terminal blocks for easy connection to the ProFlex.

Specifications Ribbon

24v Power input to avoid voltage drop
60 x Tri-Colour LED's / metre
14.4W light output / metre
Cutting / joining points every 10cm
Silicone coated for protection and IP65 rated for outdoor / indoor use
3M sticky backing
Flexible
Supplied in 5m rolls
Dimensions per roll 5mtr x 10mm x 3mm
Specifications PSU / DMX Decoder

UK designed and manufactured using quality components
Compact design (30 x 20 x 7.5cm)
Power up to 20m of RGB ProFlex (4 x 5m lengths) per unit
Slave Linkable
DMX and Mains link sockets
Panel mounted dip switches
4 x Push on terminal connectors for easy connection of ProFlex
DMX 512 controllable
Compatible with the LED Technologies RGB Easy Controller



Note: We recommend using 2.5m sq four core cable to link from the PSU to the ProFlex. Up to 100m per output of cable can be used with negligible voltage drop.

Tel: 01260 224 828 / 224 062 Web: www.ledtechnolgies.co.uk